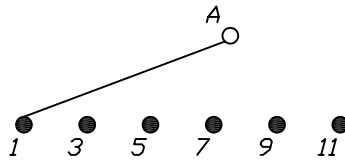
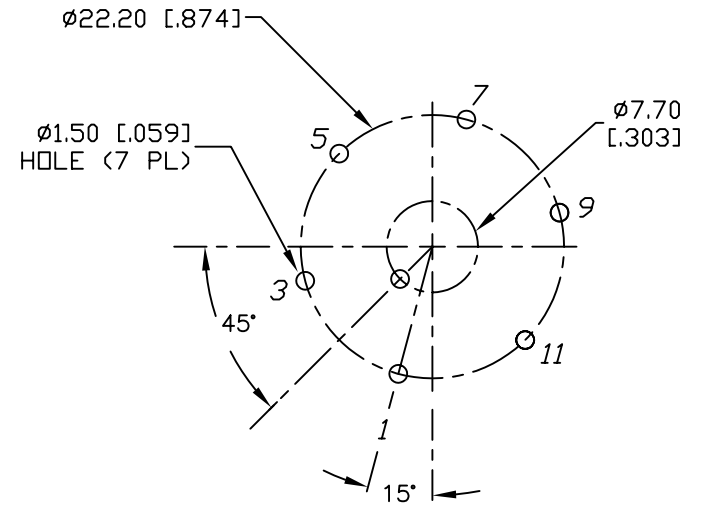


NOTES:

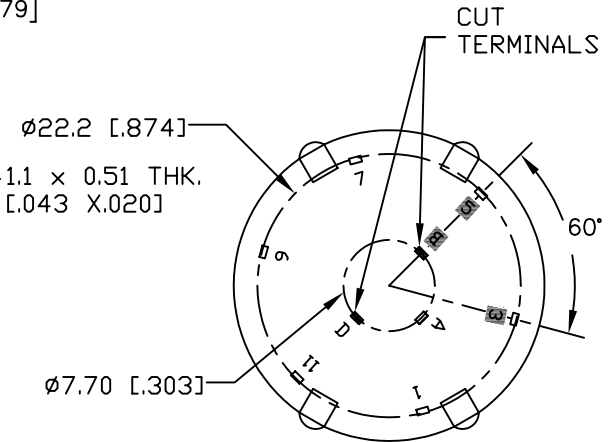
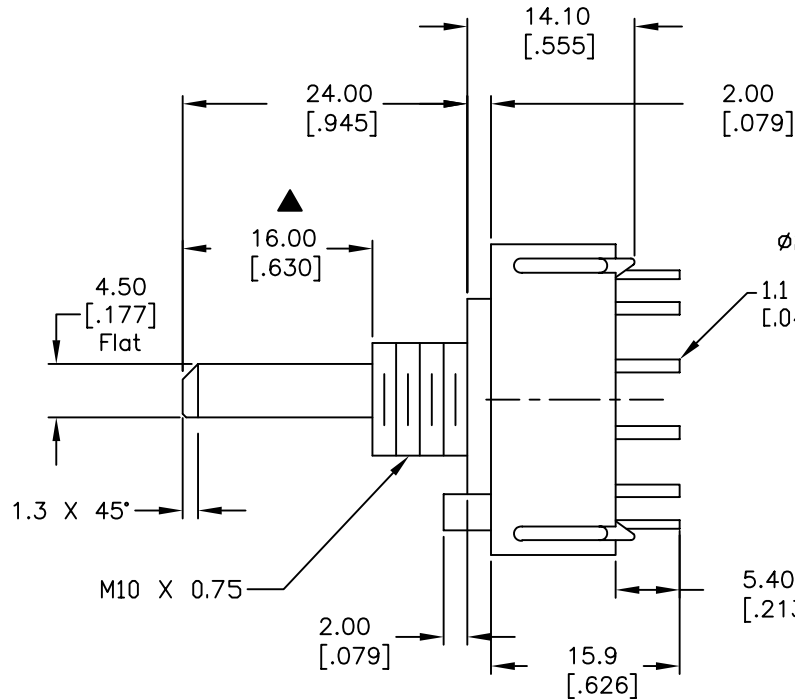
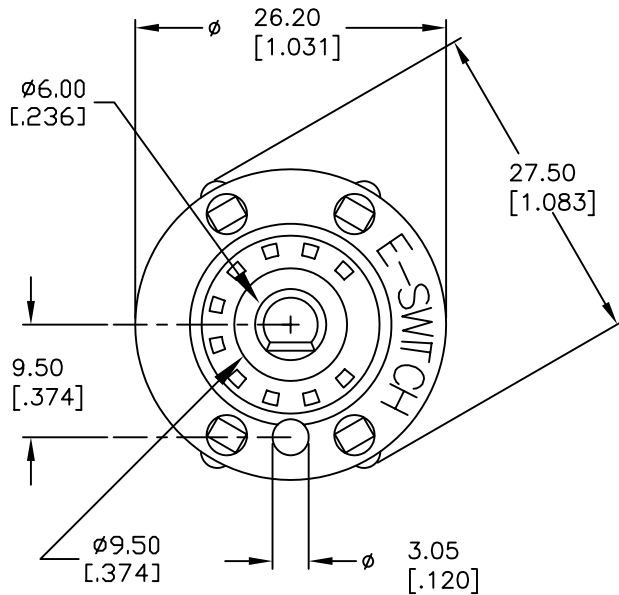
1. ALL DIMENSION IN MM [INCH]
2. GENERAL TOLERANCE: X.X=±0.4
X.XX=±0.25
3. TERM. NOS. FOR REF. ONLY
4. CONTACT RATING SWITCHING: 150mA, 250V AC/DC
350mA, 110V AC/DC
5. CONTACT RATING (NON-SWITCHING) 5A
- ▲ 6. CONTACT MATERIAL: GOLD FLASH OVER COPPER ALLOY.
7. OPERATING FORCE: 425±100 CM/STANDARD
8. OPERATING TEMP: -30° to 85°C
- ▲ 9. CIRCUIT SP: 6 POSITIONS, 60° INDEX.
10. DIELECTRIC STRENGTH 1000V RMS min. @ SEA LEVEL
- ▲ 11. DESIGNATE MAJOR DIMENSIONS
12. LOCK NUT AND WASHER NOT SHOWN.



CONTACT CONFIGURATION
(BBM)



RECOMMENDED P.C.B. LAYOUT



E-SWITCH®

TITLE					KC-60-RANCD-N-P-F				
SCALE	DATE	DR	DWG	REV					
1.5:1	3/12/01	CJB	G510894	A					

A	11294	RELEASED FOR PRODUCTION	3/12/01	CJB
REV.	ECN No.	DESCRIPTION	DATE	CHKD

THE INFORMATION CONTAINED IN THIS DOCUMENT IS PROPRIETARY TO E-SWITCH AND IS NOT TO BE COPIED OR TRANSFERRED